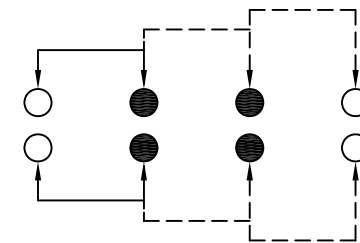
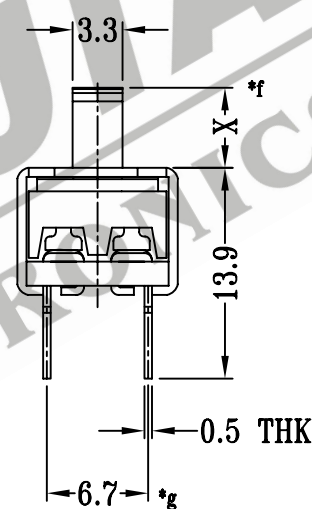
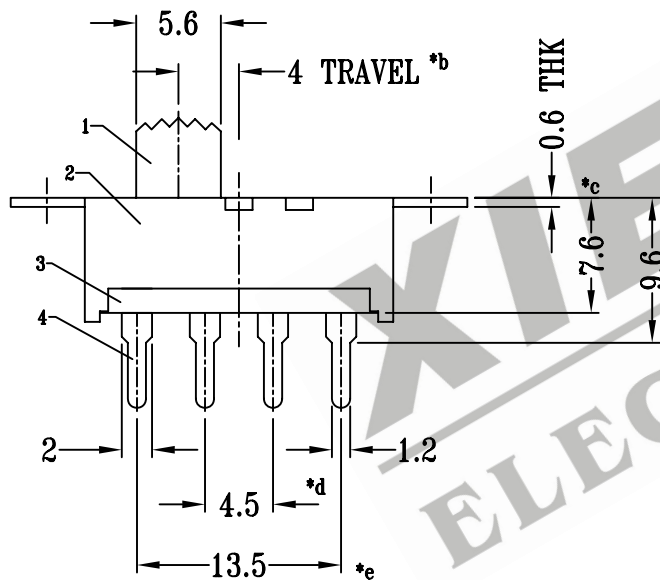
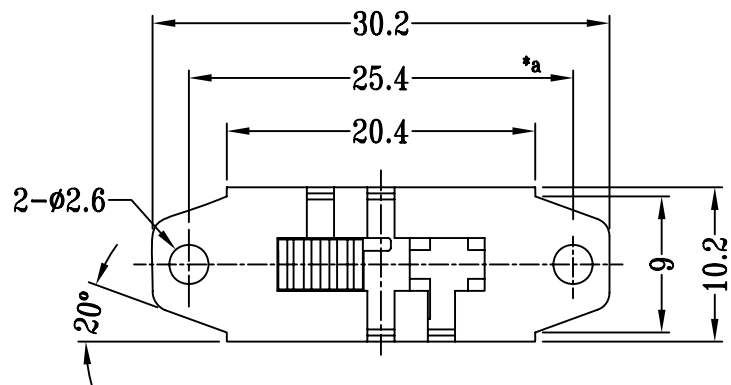
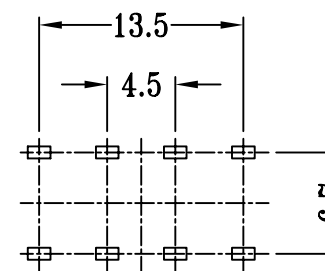


CAD FILE:



SCHEMATIC (NON-SHORTING)



P.C.B LAYOUT

注:带"*"表示关键尺寸(7个)

NO.	PARTS	MATERIALS	Q'TY	FINISH	TOLERANCE UNLESS SPECIFIED	SHENZHEN XIEJIA ELECTRONICS CO.,LTD.				
8						TITLE : VERTICAL SLIDE SWITCH MODEL: SS-23H19				
7										UNIT : mm
6	SPRING PLATE	PBS STRIP	3	NATURAL	WITHIN: 1.5±0.1mm OVER : 1.5±0.2mm	ISSUE	DATE	DESCRIPTIONS OF REVISION		APPD.
5	CONTACT	COPPER STRIP	2	Ag PLATED				DWN.	ZHOUYU	2003-4-17
4	TERMINAL	COPPER STRIP	8	Ag PLATED OVER Ni PLATED				CHK'D	FANGYING	2003-4-17
3	BASE	PHENOLIC RESIN	1	BLACK				APPD.	KANGXINAN	2003-4-17
2	FRAME	STEEL STRIP	1	Zn PLATED				ALL MATERIALS MUST BE COMPLIANT TO ROHS		
1	KNOB	PC	1	BLACK						